

INSTRUCTIONS FOR INSTALLING THE FLUSH-MOUNTED BOX

Before installing the flush-mounted box, it must be clarified with the customer where the respective electronics are to be placed. Mark the cutout at the desired position and cut the outlines e.g. with a flex.

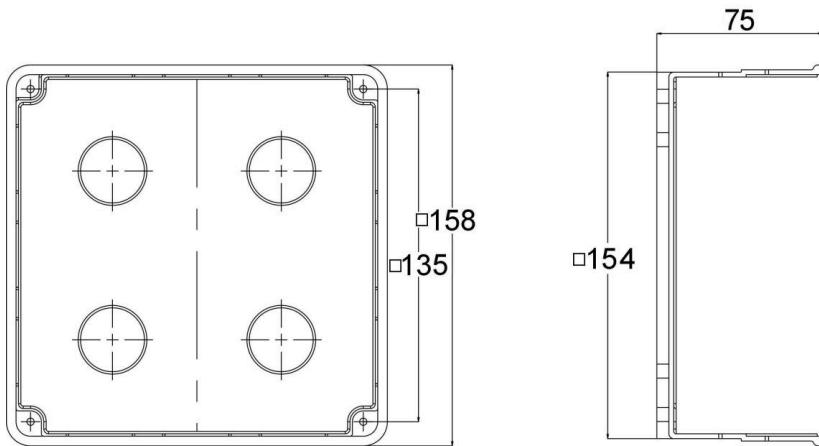
Now break out carefully. Cut out the ducts for the empty conduit in the flush-mounted box according to the structural conditions. For this, it is essential to observe the information in the respective installation or assembly instructions! Always place the flush-mounted box with the blind cover fitted, as this is the only way to guarantee tension-free installation

For all control units from Ulrich Brunner GmbH, the flush-mounted box must be installed in such a way that the top edge of the flush-mounted box is flush with the plastered wall. It is no longer possible to correct the installation position later. After the wall has been plastered and painted, the control unit can be placed in the flush-mounted box and connected.

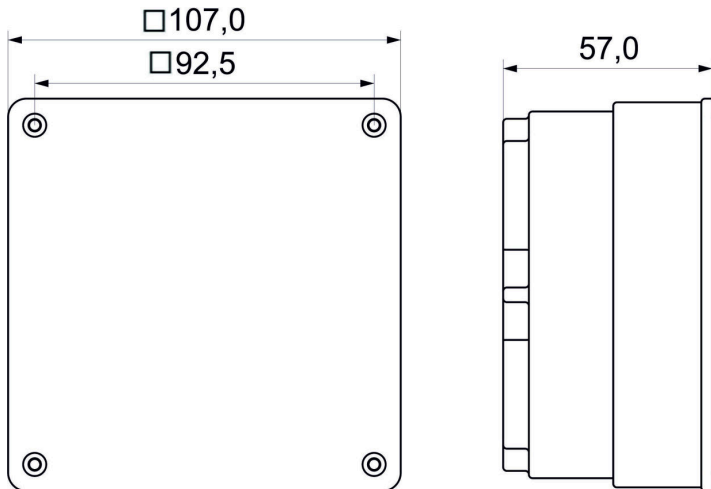
The blind cover is no longer required for the EAS, EOS display unit and the USA.

Please note that the EWM and EOS 6 - Control unit must be accessible for maintenance work!

There are holes in the front panel of the USA to measure the negative pressure in the installation room. Under no circumstances should these be closed with paint or wallpaper!



Im. 1: flush-mounted box EOS / EAS and USA 3



Im. 2: flush-mounted box USA 4

Art.-Nr. 200382